

Rubber Metal antivibration mounts

BSB ANTI VIBRATION MOUNT



AMC Mecanocaucho® BSB engine anti vibration mounts are antivibration elements which work the rubber in shear and compression with an optimal ratio of stiffness and horizontal stability. These engine mounts are really applicable when stability is a priority in an antivibration suspension. In applications where the degree of isolation is the priority we thoroughly recommend the use of BRB captive mount.

TECHNICAL CHARACTERISTICS

- The top metal hood protects the rubber from the Ozone, UV rays, diesel or oils which may cause major damage to the rubber.
- The metal parts have a suitable anticorrosive treatment for outdoor applications. RoHS compliant.
- They have an interlocking metal component that provides a fail-safe protection for mobile applications. This device limits vertical movement when the mounting is submitted to shock inputs.
- The mounts are clearly identified, as the baseplates are engraved with the type and hardness, which makes it possible to easily recognise the part even after several years of use.
- The hood has a cross stamped on the top, which enhances its stiffness on mobile applications and also improves the evacuation of oils or liquids that splash onto it.

APPLICATIONS

This mount is suitable for mobile rotating machines that require greater control of movement due to axial and radial shock inputs providing reasonable values of vibration and noise attenuation, such as:

- Pumps, Marine-Land auxiliary units, Industrial Vehicles, Compressors, Ventilators...

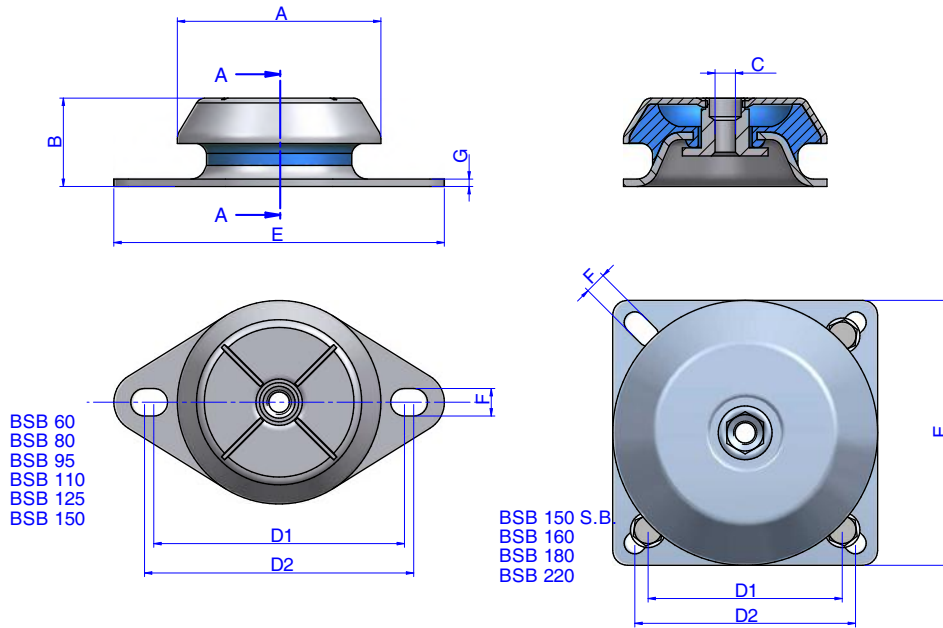
This mount is suitable for the isolation of mobile rotating machines which are exposed to axial and radial shocks, dripping oil or diesel or exposure to the weather.



Rubber Metal antivibration mounts

BSB ANTI VIBRATION MOUNT

DRAWINGS



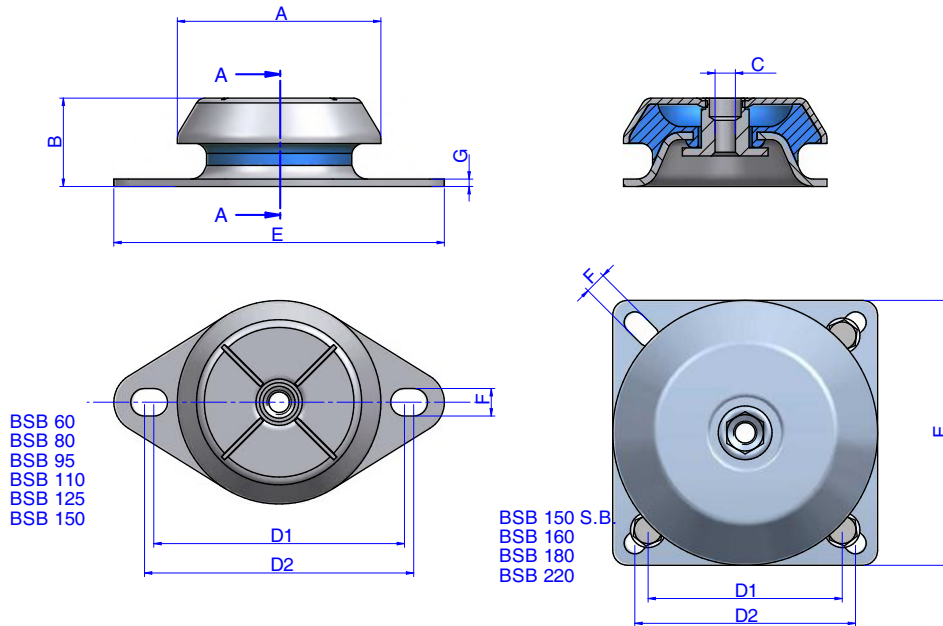
DIMENSIONS

Type	A (mm.)	B (mm.)	C (mm.)	D1 (Min.)	D2 (Max.)	E (mm.)	F (mm.)	G (mm.)	Weight (gr.)	Load (kg.)	Shore	Code
BSB 60	64	35	M-10	76,5	90,5	110	9	2,5	235	70	40 Sh	135106
										130	50 Sh	135109
										170	60 Sh	135107
										245	70 Sh	135108
BSB 80 M10	78	31	M-10	108,2	111,2	130	9,2	3	355	110	40 Sh	135261
										161	50 Sh	135262
										231	60 Sh	135263
										300	70 Sh	135264
BSB 80 M12	78	31	M-12	108,2	111,2	130	9,2	3	351	110	40 Sh	135265
										161	50 Sh	135266
										231	60 Sh	135267
										300	70 Sh	135268

Rubber Metal antivibration mounts

BSB ANTI VIBRATION MOUNT

DRAWINGS



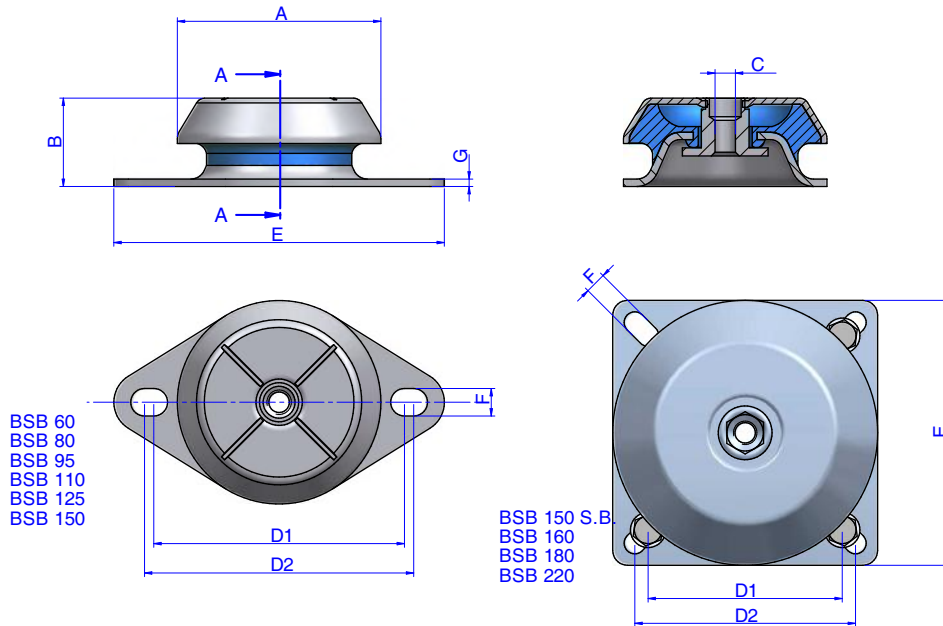
DIMENSIONS

Type	A (mm.)	B (mm.)	C (mm.)	D1 (Min.)	D2 (Max.)	E (mm.)	F (mm.)	G (mm.)	Weight (gr.)	Load (kg.)	Shore	Code
BSB 95 M10	92	34	M-10	122	126,4	150	10	3	488	180	40 Sh	135311
										230	50 Sh	135312
										270	60 Sh	135313
										330	70 Sh	135314
BSB 95 M12	92	34	M-12	122	126,4	150	10	3	488	180	40 Sh	135315
										230	50 Sh	135316
										270	60 Sh	135317
										330	70 Sh	135318
BSB 110 M12	106	37	M-12	137	150	175	13	3	785	250	40 Sh	135335
										350	50 Sh	135336
										450	60 Sh	135337
										550	70 Sh	135338

Rubber Metal antivibration mounts

BSB ANTI VIBRATION MOUNT

DRAWINGS



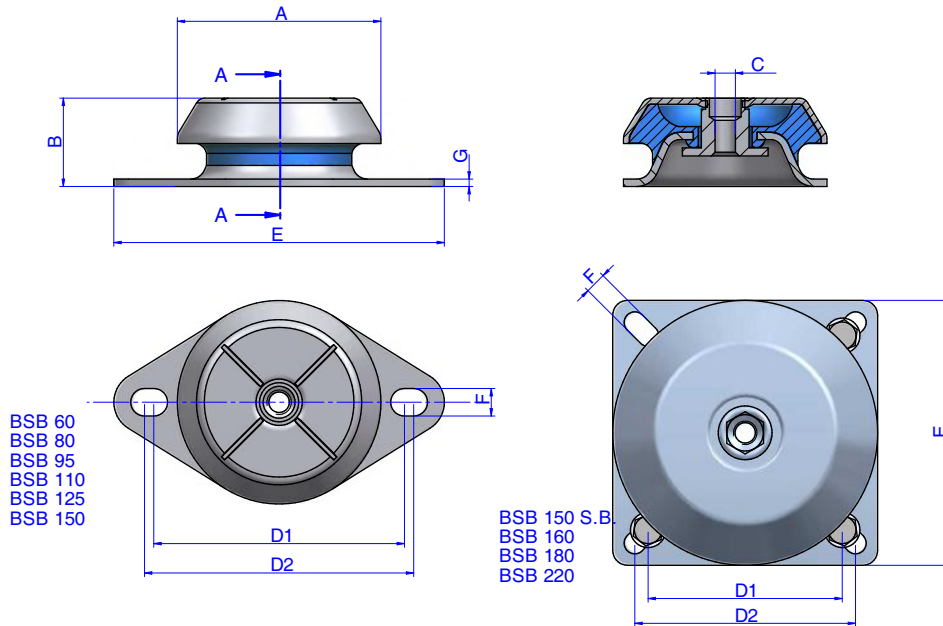
DIMENSIONS

Type	A (mm.)	B (mm.)	C (mm.)	D1 (Min.)	D2 (Max.)	E (mm.)	F (mm.)	G (mm.)	Weight (gr.)	Load (kg.)	Shore	Code
BSB 110 M16	106	37	M-16	137	150	175	13	3	785	250	40 Sh	135150
										350	50 Sh	135151
										450	60 Sh	135152
										550	70 Sh	135153
BSB 125	123	43	M-16	154	162	190	14	4	1109	450	40 Sh	135351
										550	50 Sh	135352
										690	60 Sh	135353
										900	70 Sh	135354
BSB 150 B.C.	155	49	M-16	125	132	164	14,5	4	2060	750	40 Sh	135371
										950	50 Sh	135372
										1300	60 Sh	135373
										1650	70 Sh	135374

Rubber Metal antivibration mounts

BSB ANTI VIBRATION MOUNT

DRAWINGS



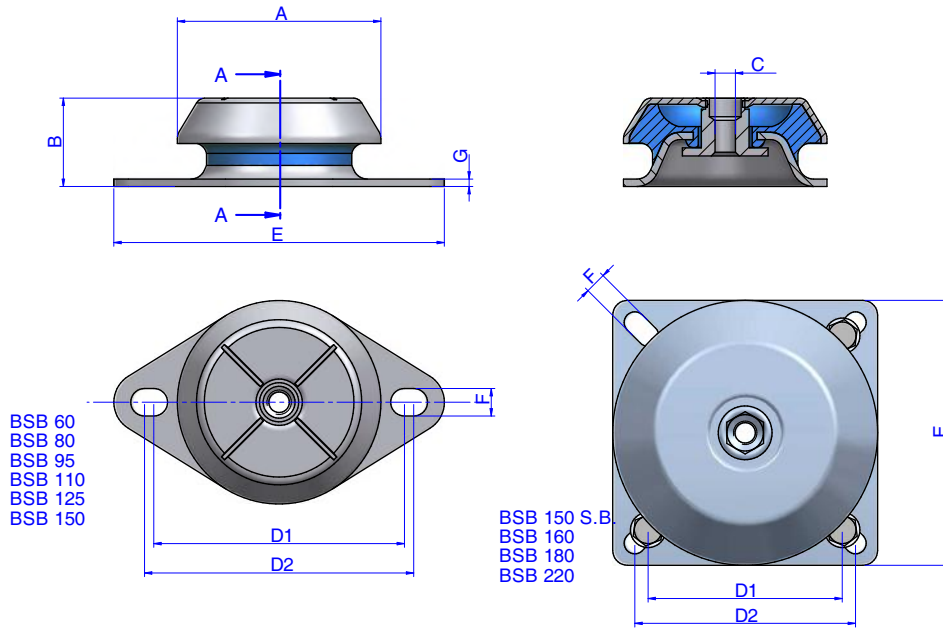
DIMENSIONS

Type	A (mm.)	B (mm.)	C (mm.)	D1 (Min.)	D2 (Max.)	E (mm.)	F (mm.)	G (mm.)	Weight (gr.)	Load (kg.)	Shore	Code
BSB 150	155	49	M-16	176	188	218	14,5	4	1818	750	40 Sh	135361
										950	50 Sh	135362
										1300	60 Sh	135363
										1650	70 Sh	135364
BSB 160	155	57	M-20	140	140	170	14,5	4	2200	900	40 Sh	135381
										1200	50 Sh	135382
										1600	60 Sh	135383
										2300	70 Sh	135384
BSB 180	180	67	M-20	149	163	192	14,5	4	3800	1300	40 Sh	135181
										1750	50 Sh	135184
										2100	60 Sh	135182
										2900	70 Sh	135183

Rubber Metal antivibration mounts

BSB ANTI VIBRATION MOUNT

DRAWINGS



DIMENSIONS

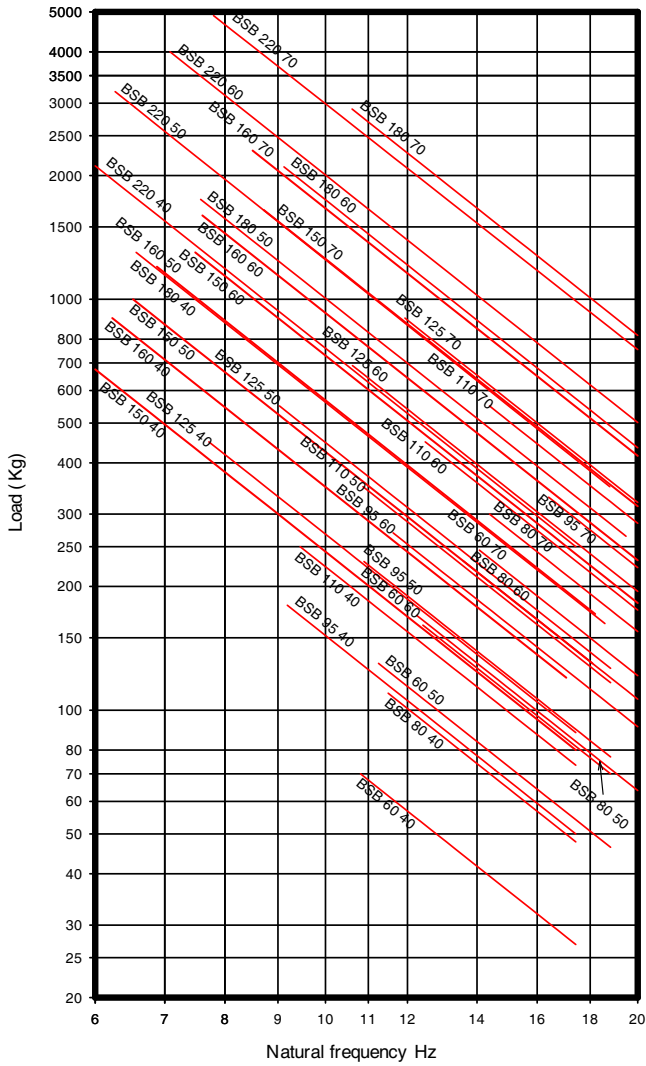
Type	A (mm.)	B (mm.)	C (mm.)	D1 (Min.)	D2 (Max.)	E (mm.)	F (mm.)	G (mm.)	Weight (gr.)	Load (kg.)	Shore	Code
BSB 220	225	105	M-24	180	180	220	19	6	6716	2500	40 Sh	135301
										3200	50 Sh	135302
										4000	60 Sh	135303
										5000	70 Sh	135304

Rubber Metal antivibration mounts

BSB ANTI VIBRATION MOUNT

ELASTICAL PROPERTIES

NATURAL FREQUENCIES A MC
MECANOCAUCHO® Type BSB



LOAD DEFLECTION GRAPHS
MECANOCAUCHO® Type BSB

